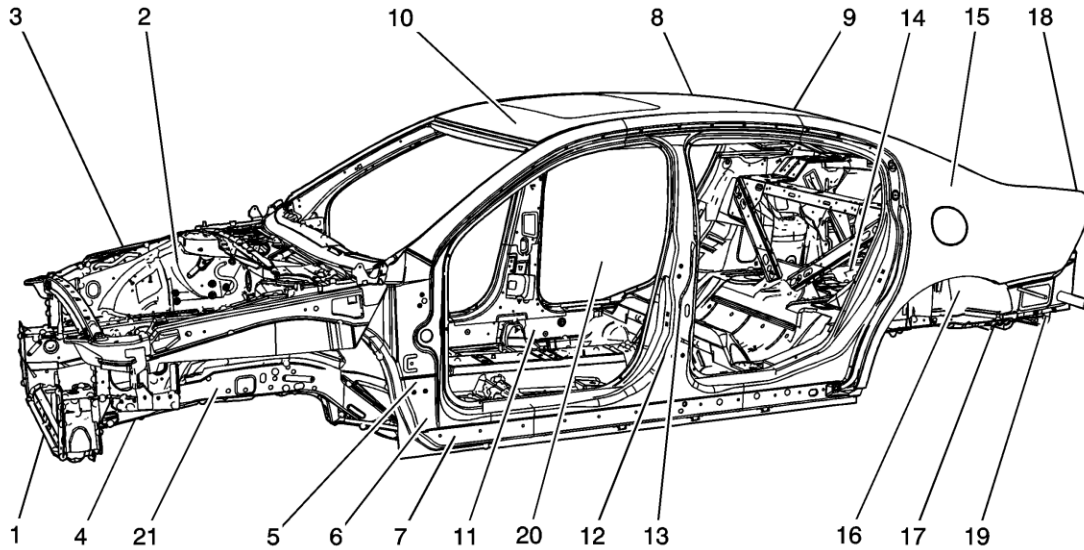


Structure Identification



| Number | Description | Material | Procedure |
|--------|---|---|--|
| 1 | Tie Bar Replacement - Lower | Mild Steel | Lower Tie Bar Replacement |
| 2 | Wheelhouse Replacement - Front | Mild Steel | Front Wheelhouse Replacement |
| 3 | Rail Replacement Front Compartment - Side Upper | Mild Steel | Front Compartment Upper Side Rail Replacement |
| 4 | Rail Sectioning Front Compartment - Front | High Strength Low Alloy Steel | Front Compartment Front Rail Sectioning |
| 5 | Hinge Pillar Body Replacement - Front Inner | Mild Steel | Front Inner Hinge Pillar Body ReplacementFront |

| | | | |
|----|---|---|---|
| 6 | Hinge Pillar Body Reinforcement Replacement - Front Inner | Mild Steel | Front Inner Hinge Pillar Sectioning |
| 7 | Hinge Pillar Body Sectioning - Front | Mild Steel | Front Hinge Pillar Body Sectioning |
| 8 | Roof Panel Replacement - Outer | Mild Steel | Roof Outer Panel Replacement |
| 9 | Rear Window Frame Header Panel Replacement - Rear | Mild Steel | Rear Window Frame Header Rear Panel Replacement |
| 10 | Windshield Frame Header Panel Replacement - Front | Mild Steel | Windshield Frame Header Front Panel Replacement |
| 11 | Rocker Panel Replacement - Inner | High Strength Low Alloy Steel | Rocker Inner Panel Replacement |
| 12 | Pillar Lock Front Door Sectioning - Outer | Mild Steel | Body Lock Pillar Outer Panel Sectioning |
| 13 | Pillar Lock Front Door Sectioning Replacement - Inner | Mild Steel | Body Lock Pillar Inner Panel Sectioning Replacement |
| 14 | Rear Compartment Floor Panel Replacement | Mild Steel | Rear Compartment Floor Panel Replacement |
| 15 | Quarter Panel Replacement - Outer | Mild Steel | Quarter Outer Panel Replacement |
| 16 | Quarter Panel Replacement - Inner | Mild Steel | Quarter Inner Panel Replacement |
| 17 | Rail Replacement Rear Side Underbody | High Strength Low Alloy Steel | Underbody Rear Side Rail Replacement |
| 18 | Body Rear End Panel Replacement | Mild Steel | Body Rear End Panel Replacement |
| 19 | Rail Sectioning Rear Side Underbody | High Strength Low Alloy Steel | Rail Sectioning Rear Side Underbody |
| 20 | Panel Replacement - Door Outer | Mild Steel | Door Outer Panel Replacement |
| 21 | Rail Replacement - Lower | High Strength Low Alloy Steel | Lower Rail Replacement |