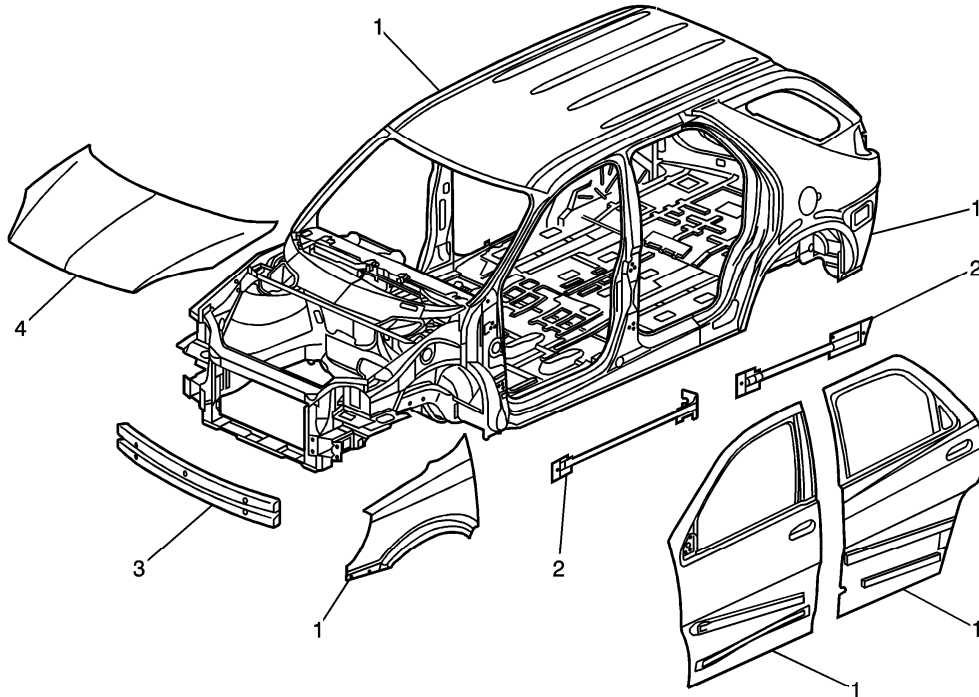


Rendezvous Metal Panel Identification



- (1) Two Sided Galvanized Steel
- (1) Two Sided Galvanized Steel
- (1) Two Sided Galvanized Steel
- (1) Two Sided Galvanized Steel
- (1) Two Sided Galvanized Steel
- (2) Ultra High Strength Steel
- (2) Ultra High Strength Steel
- (3) HSLA - High Strength Low Alloy
- (4) Aluminum