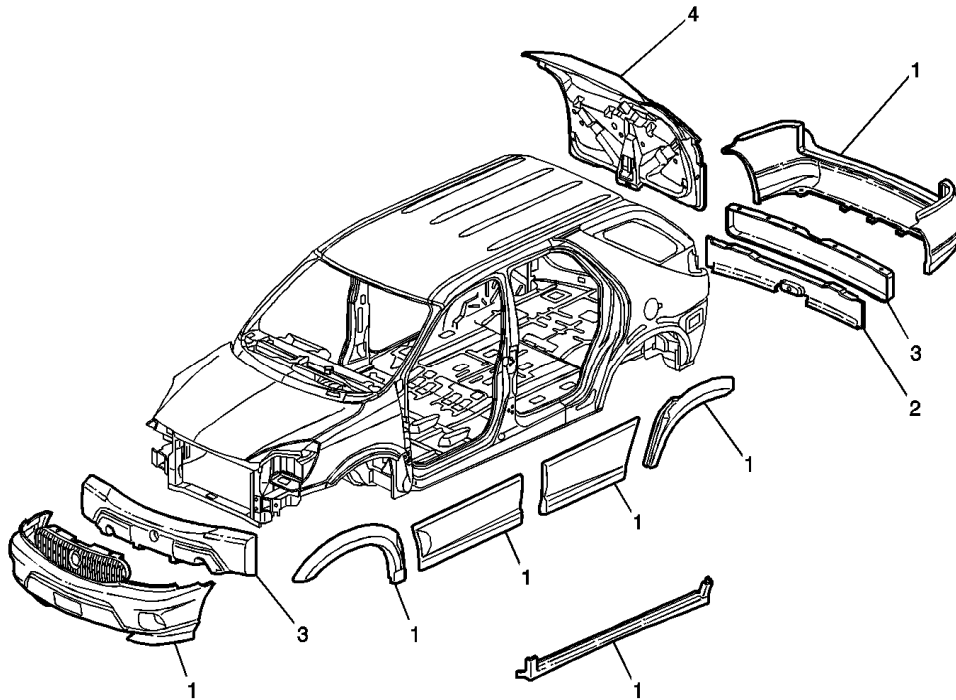


FIGURE Rendezvous Plastic Panel Identification(c)



- (1) Thermoplastic Olefin
- (1) Thermoplastic Olefin
- (1) Thermoplastic Olefin
- (1) Thermoplastic Olefin
- (1) Thermoplastic Olefin
- (1) Thermoplastic Olefin
- (1) Thermoplastic Olefin
- (2) Xenoy
- (3) Polypropylene Energy Foam
- (3) Polypropylene Energy Foam
- (4) Sheet Molding Compound