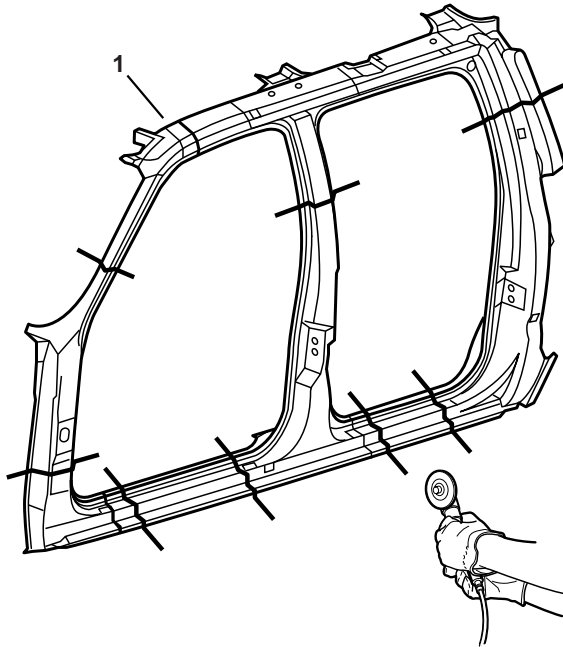


2002 Chevrolet Avalanche

Door Frame Sectioning

IMPORTANT: Section in specified areas only. Sectioning outside of these areas may compromise the structural integrity of the vehicle. Do not section in laser weld (1) areas of door frame sections.



The door frame opening is a unique laser-weld design incorporating multiple metal thicknesses to ensure the structural integrity of the cab. The door frame can be replaced at factory seams, but requires the removal of the roof panel, windshield and quarter panel. Sectioning procedures have been developed as a more cost-effective alternative to complete replacement. The specific area to be sectioned is determined by the extent of the damage to the vehicle.