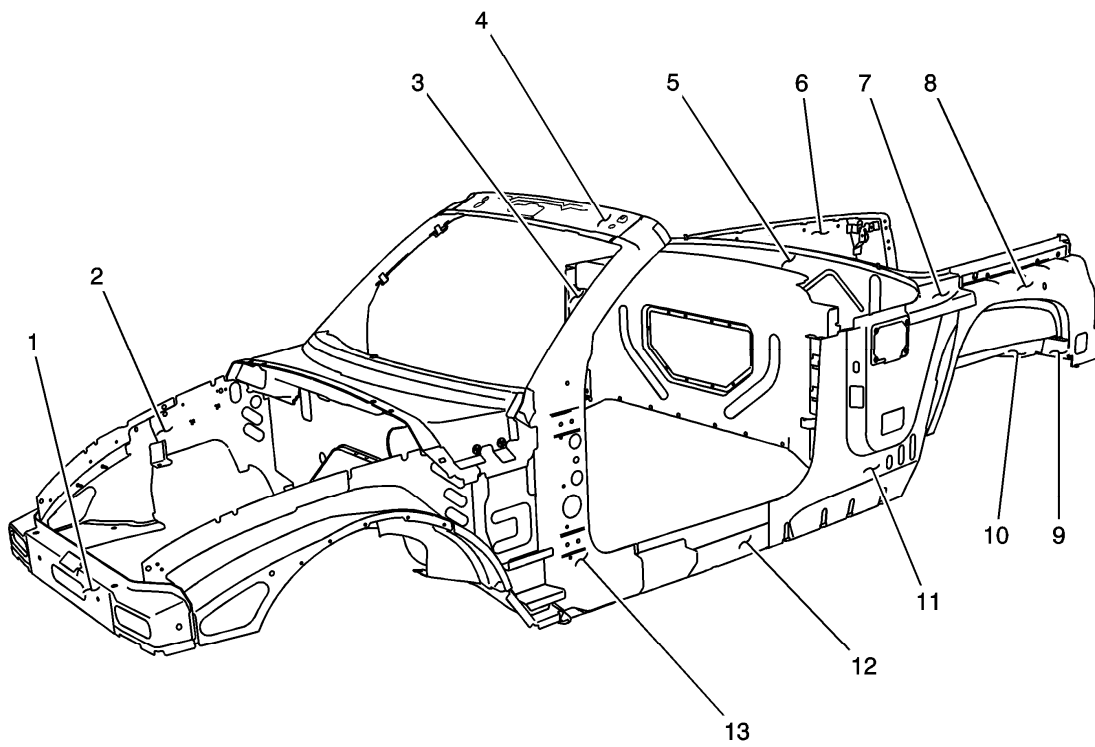


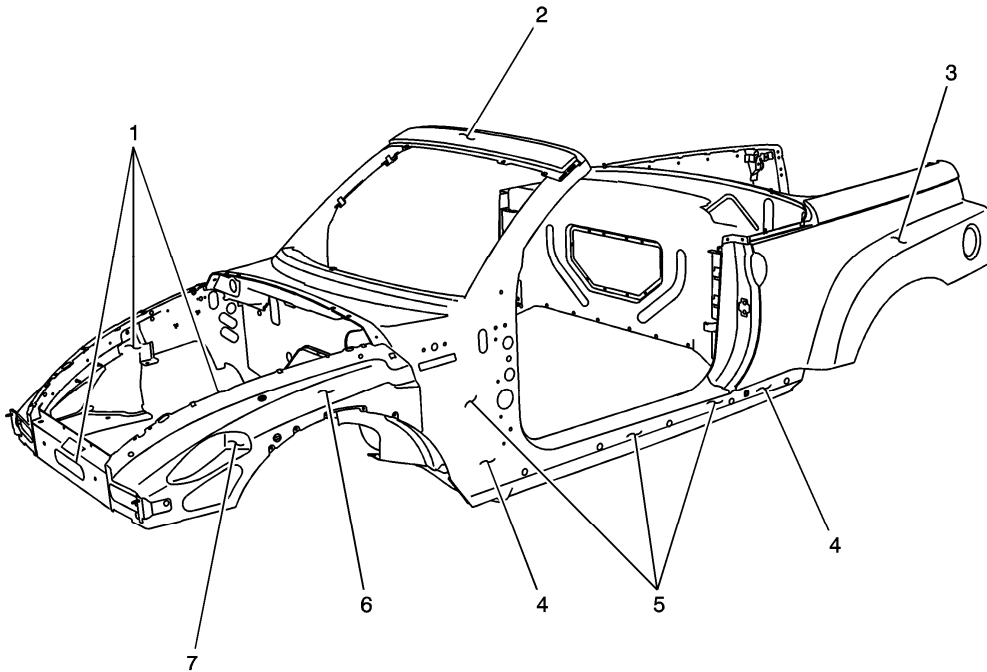
# Structure Identification

**FIGURE Inner Panel Identification(c)**



| <b>Number</b> | <b>Description</b>              | <b>Procedure</b>  |
|---------------|---------------------------------|---|
| 1             | Upper Tie Bar                   | <a href="#">Tie Bar Replacement - Upper</a>                             |
| 2             | Front Wheelhouse Assembly       | <a href="#">Wheelhouse Replacement - Front</a>                          |
| 3             | Roof Mounting Bracket           | <a href="#">Roof Mounting Bracket Replacement</a>                       |
| 4             | Inner Windshield Header         | <a href="#">Windshield Frame Header Panel Replacement - Front Inner</a> |
| 5             | Outer Body Panel                | <a href="#">Panel Replacement - Body Rear Outer</a>                     |
| 6             | Cargo Box Side Panel            | <a href="#">Cargo Box Side Panel Replacement - Inner</a>                |
| 7             | Lock Pillar Gusset              | <a href="#">Lock Pillar Gusset Replacement - Rear Compartment</a>       |
| 8             | Rear Outer Wheelhouse           | <a href="#">Wheelhouse Replacement - Rear Outer</a>                     |
| 9             | Number 5 Crossbar               | <a href="#">Cross Bar No.5 Replacement - Floor Panel</a>                |
| 10            | Rear Floor Assembly             | <a href="#">Floor Replacement - Rear</a>                                |
| 11            | Inner Lock Pillar               | <a href="#">Pillar Lock Front Door Replacement - Inner</a>              |
| 12            | Inner Rocker Panel              | <a href="#">Rocker Panel Replacement - Inner</a>                        |
| 13            | Inner Hinge Panel Reinforcement | <a href="#">Hinge Pillar Body Replacement - Front Inner</a>             |

**FIGURE Outer Panel Identification(c)**



| <b>Number</b> | <b>Description</b>           | <b>Procedure</b>  |
|---------------|------------------------------|---|
| 1             | Front End Assembly Kit       | <a href="#">Front End Assembly Replacement - Kit</a>              |
| 2             | Outer Windshield Header      | <a href="#">Windshield Frame Header Panel Replacement - Front</a> |
| 3             | Quarter Panel                | <a href="#">Quarter Panel Replacement - Outer</a>                 |
| 4             | Sectioning Body Side Outer   | <a href="#">Body Side Panel Sectioning - Outer</a>                |
| 5             | Complete Body Side Outer     | <a href="#">Body Side Panel Replacement - Outer</a>               |
| 6             | Complete Upper Fender Rail   | <a href="#">Fender Rail Replacement - Upper</a>                   |
| 7             | Sectioning Upper Fender Rail | <a href="#">Fender Rail Sectioning - Upper</a>                    |