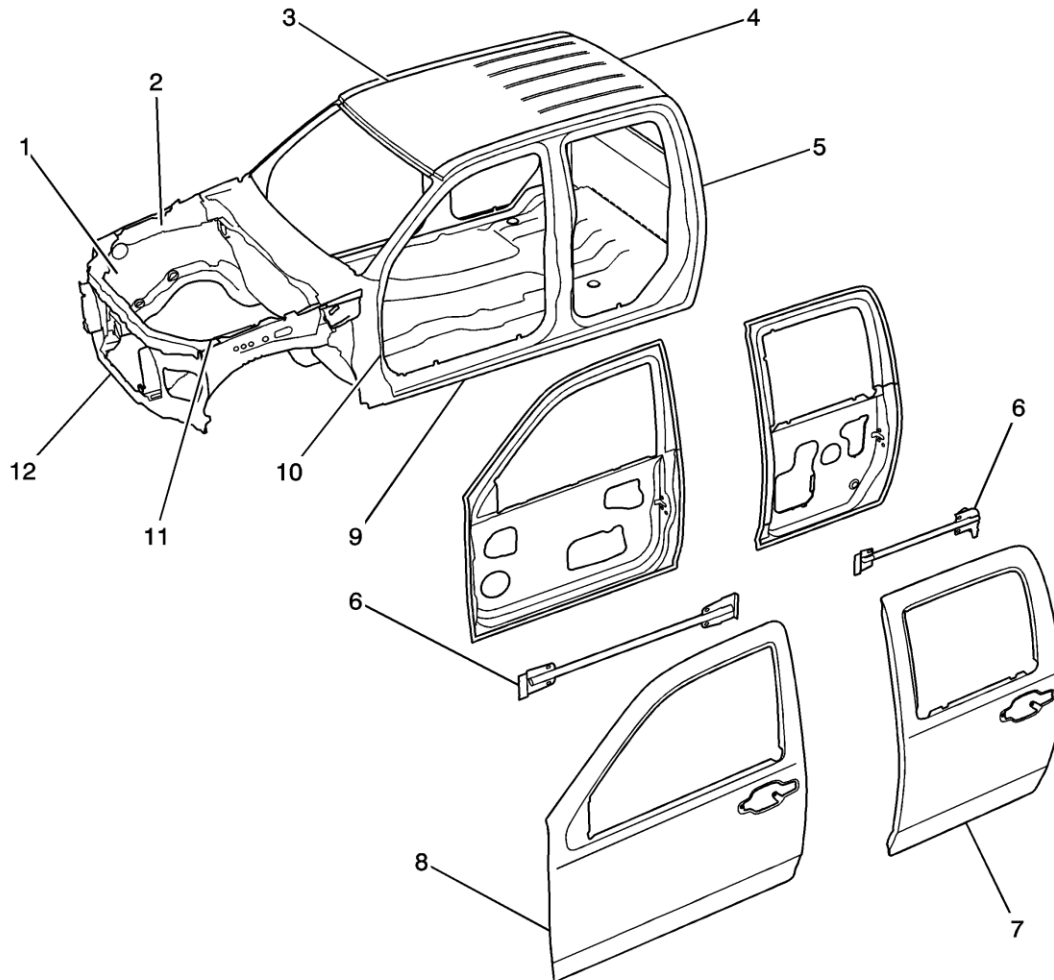


## Structure Identification



Number	Description	Material	Procedure
1	Front Wheelhouse	<a href="#">Mild Steel</a>	<a href="#">Front Wheelhouse Replacement</a>
2	Front Compartment Upper Side Rail	<a href="#">Mild Steel</a>	<a href="#">Front Compartment Upper Side Rail Replacement</a>
3	Roof Outer Panel	<a href="#">Mild Steel</a>	<a href="#">Roof Outer Panel Replacement</a> <a href="#">Windshield Frame Header Front Panel Replacement</a>
4	Roof Rear Header	<a href="#">Mild Steel</a>	<a href="#">Roof Rear Header Panel</a>

	Panel		<a href="#">Replacement</a>
5	Rear End Panel	<a href="#">Mild Steel</a>	<a href="#">Rear End Panel Replacement</a>
6	Door Inner Reinforcement Beam	<a href="#">Ultra High Strength Steel</a>	<a href="#">Not Serviced</a>
7	Rear Outer Door Panel	<a href="#">Mild Steel</a>	<a href="#">Rear Side Door Outer Panel Replacement</a>
8	Front Outer Door Panel	<a href="#">Mild Steel</a>	<a href="#">Front Side Door Outer Panel Replacement</a>
9	Outer Bodyside Panel	<a href="#">Mild Steel</a>	<a href="#">Rocker Outer Panel Sectioning</a> <a href="#">Center Pillar Sectioning</a> <a href="#">Rear Pillar Sectioning</a>  <a href="#">Outer Door Frame Sectioning</a>  <a href="#">Outer Windshield Frame Pillar Sectioning</a>
10	Front Hinge Pillar	<a href="#">Mild Steel</a>	<a href="#">Front Hinge Pillar Sectioning</a>  <a href="#">Front Inner Hinge Pillar Reinforcement Sectioning</a>
11	Battery Tray	<a href="#">Mild Steel</a>	<a href="#">Battery Tray Replacement</a>
12	Radiator Support	<a href="#">Mild Steel</a>	<a href="#">Radiator Support Replacement</a>