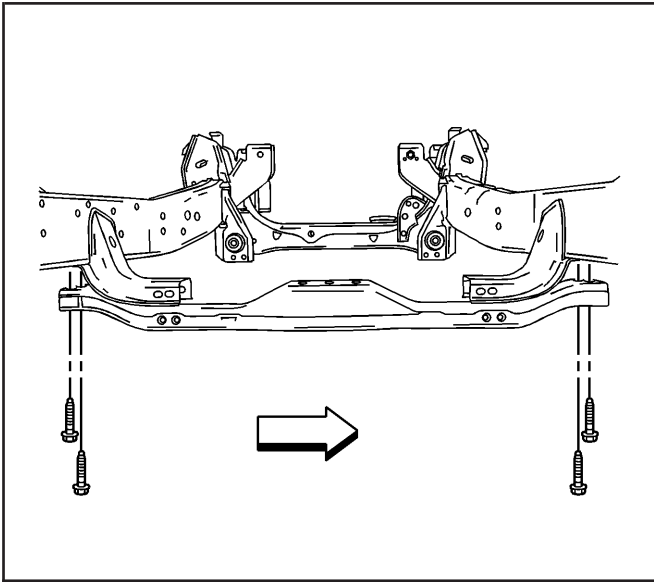


647997

Crossmember Replacement - Transmission (4WD)

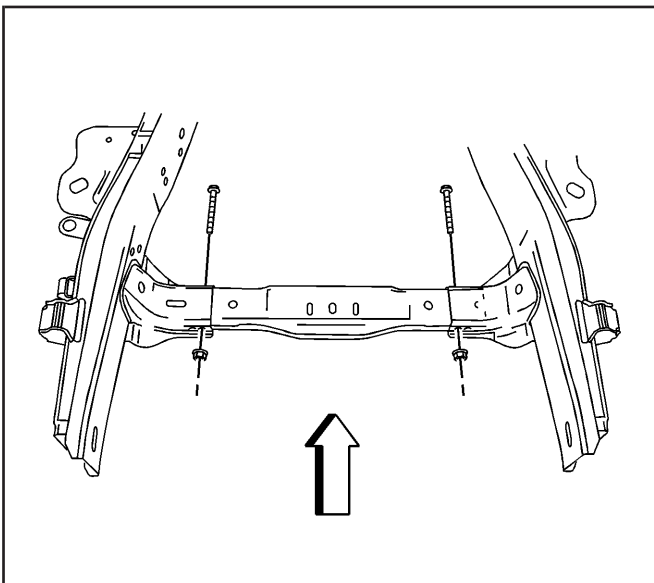
Removal Procedure

1. Raise the vehicle.
2. Support the transmission with a suitable stand or jack.
3. Remove the nuts retaining the transmission mount to the transmission support.
4. Raise the transmission.



1241426

5. Remove the vertical bolts retaining the transmission support to the frame.

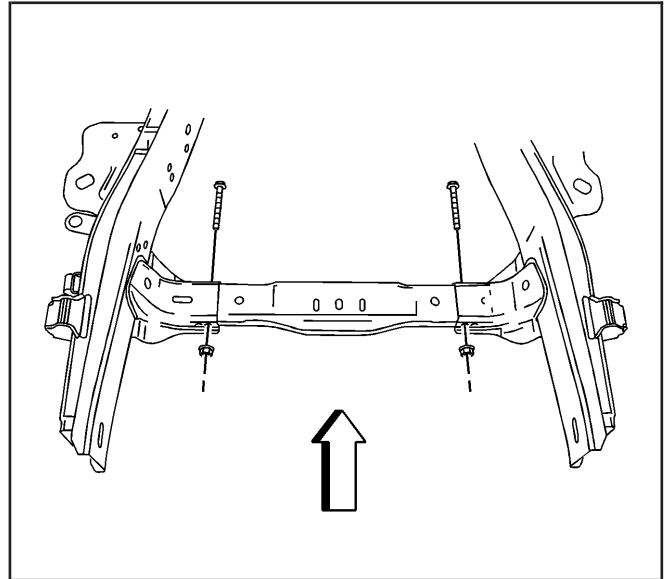


1241425

6. Remove the horizontal nuts and the bolts retaining the transmission support to the frame.
7. Remove the transmission support from the frame.

Installation Procedure

1. Install the transmission support to the frame.
2. Loose install the horizontal nuts and the bolts retaining the transmission support to the frame.

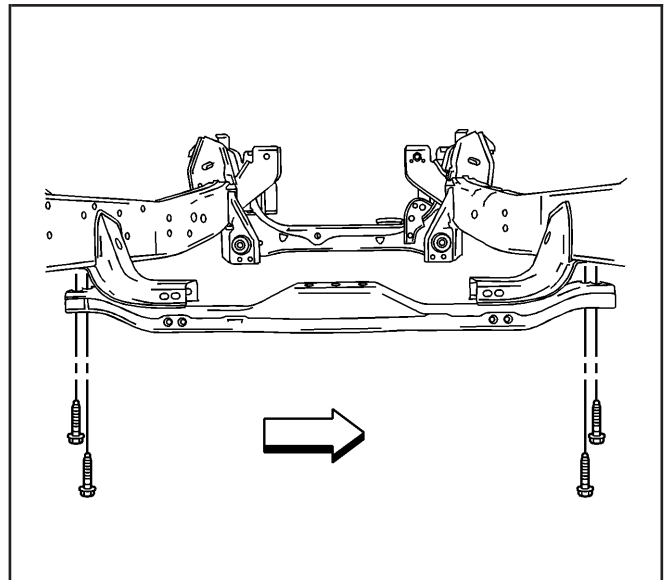


1241425

3. Loose install the vertical bolts retaining the transmission support to the frame.

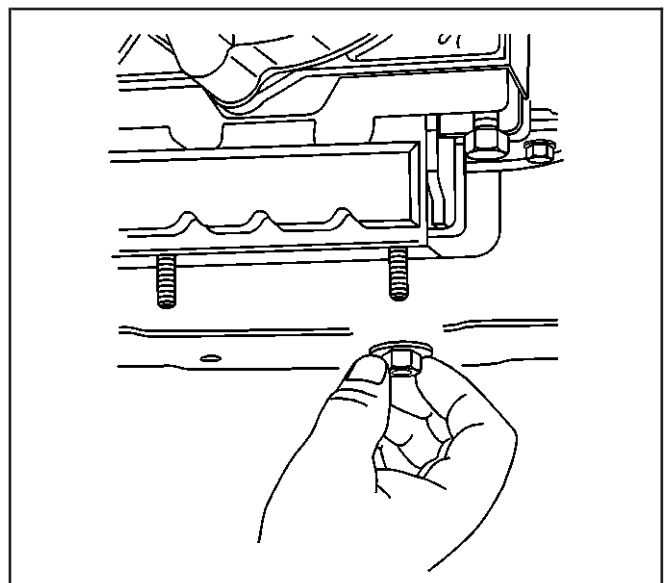
Tighten

- Tighten the horizontal nuts to 50 N·m (37 lb ft).
- Tighten the vertical bolts to 100 N·m (74 lb ft).



1241426

4. Lower the transmission.
5. Install the nuts to the transmission mount.
6. Remove the stand or jack.
7. Lower the vehicle.



647997