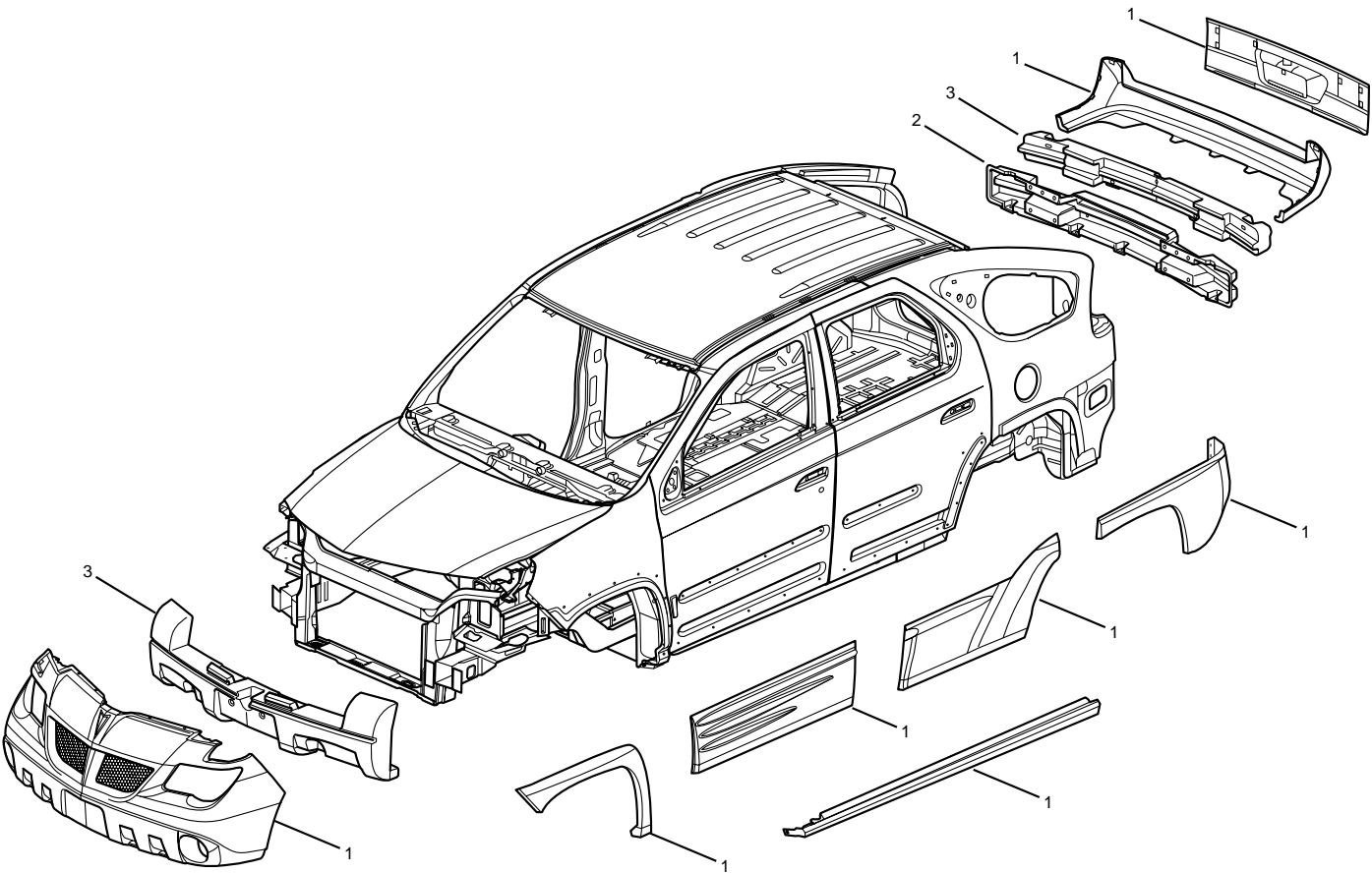


Aztek Plastic Panel Identification



- 1. TPO (Thermoplastic Olefin)
- 2. Xenoy
- 3. Polypropylene Energy Foam