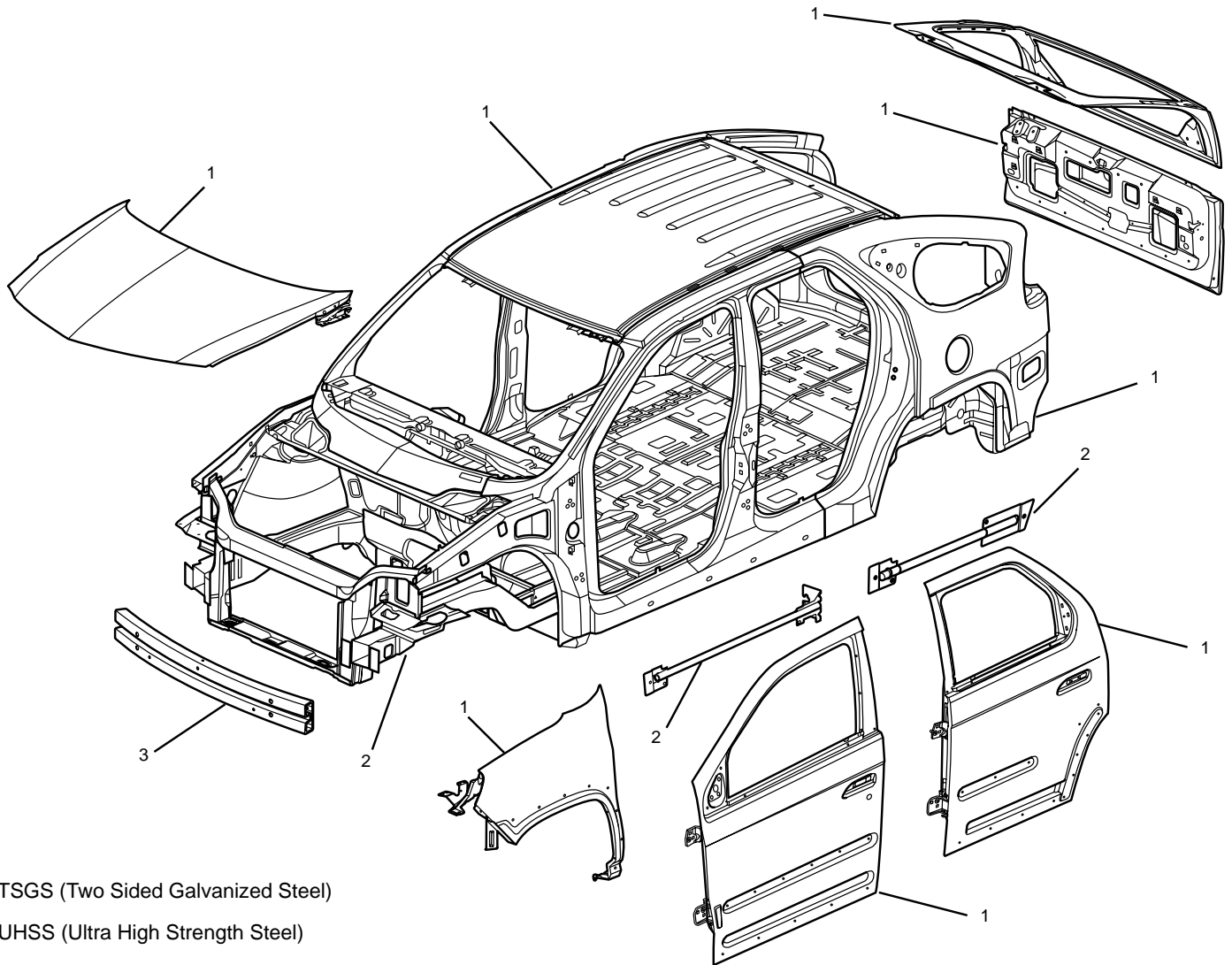


Aztek Metal Panel Identification



- 1. TSGS (Two Sided Galvanized Steel)
- 2. UHSS (Ultra High Strength Steel)
- 3. AL (Aluminum)