

8. Roof Panel

The roof panel is serviced as a complete assembly, including the outer panel and the inner reinforcements. The roof panel is attached by a number of welds which must be drilled to remove the outer panel and inner reinforcements for servicing.

— Notice —

The headliner, windshield, and backglass must be removed prior to the removal of the roof assembly. Protect the interior of the vehicle by covering it or removing it, and use care when working near adjacent panels, glass, weatherstrips and moldings. It is recommended the seats be removed to avoid damage due to the overhead welding required to service the roof assembly.

— Important —

On vehicles equipped with a sunroof, take care not to damage the drain tubes. The drain tubes are located between the inner and outer body components.

Roof Normal

Remove or Disconnect

1. Remove all related panels and components necessary to access the welds attaching the roof assembly to the vehicle.
2. Visually inspect and restore as much of the damage as possible.

3. Remove sealers and anti-corrosion materials as necessary.
4. Locate, mark, and drill out all factory welds. Note the number and location of welds for installation of the service assembly.
5. Remove the damaged roof panel assembly.

— Notice —

A second person may be needed to safely remove the roof assembly and prevent damage to the vehicle.

Install or Connect

1. Clean and prepare the mating surfaces as necessary.
2. Position the roof panel on the vehicle. Check fit and alignment.
3. When the service assembly is correctly positioned, plug weld accordingly. Clean and prepare all welded surfaces. Prime with two-part catalyzed primer. Apply sealers and anti-corrosion protection materials as necessary. Do not combine paint systems. Refer to paint manufacturer's recommendations.
4. Install all related panels and components.

— Notice —

When replacing panels that involve servicing stationary glass, refer to GM Service Bulletin no. 43-10-48 before performing any priming or refinishing work.

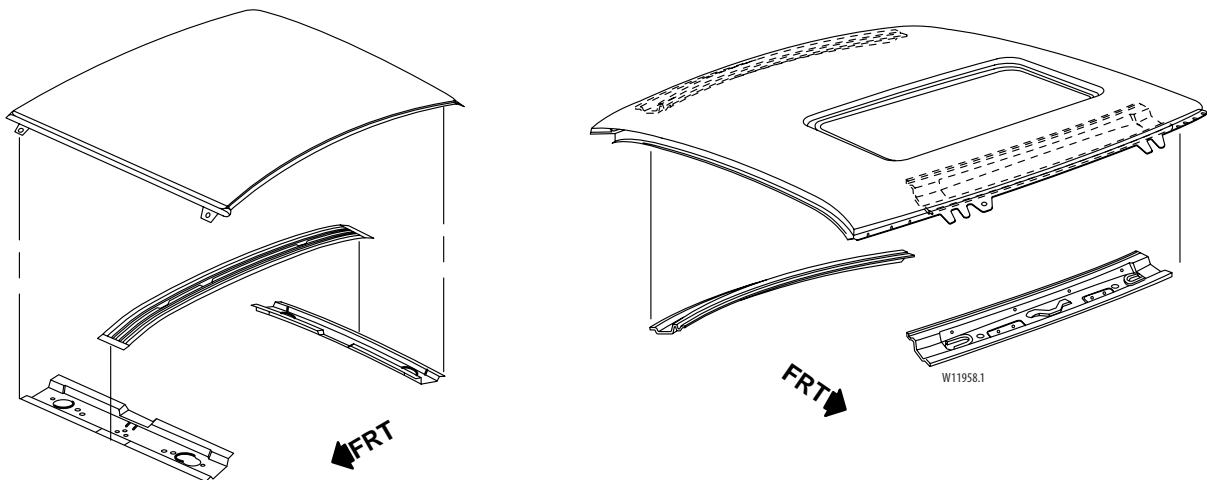


Figure 8-1:
Roof Panels