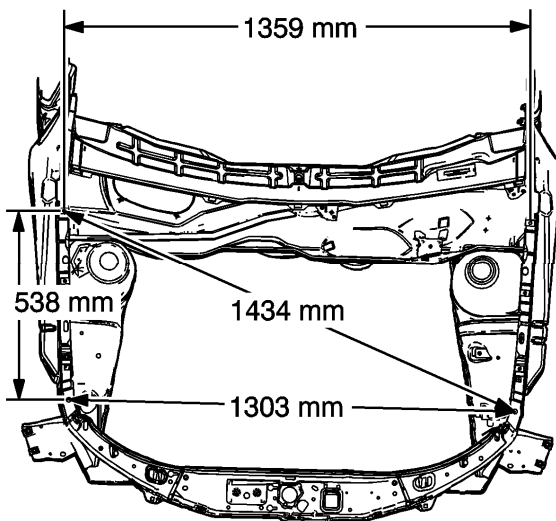


Dimensions - Body

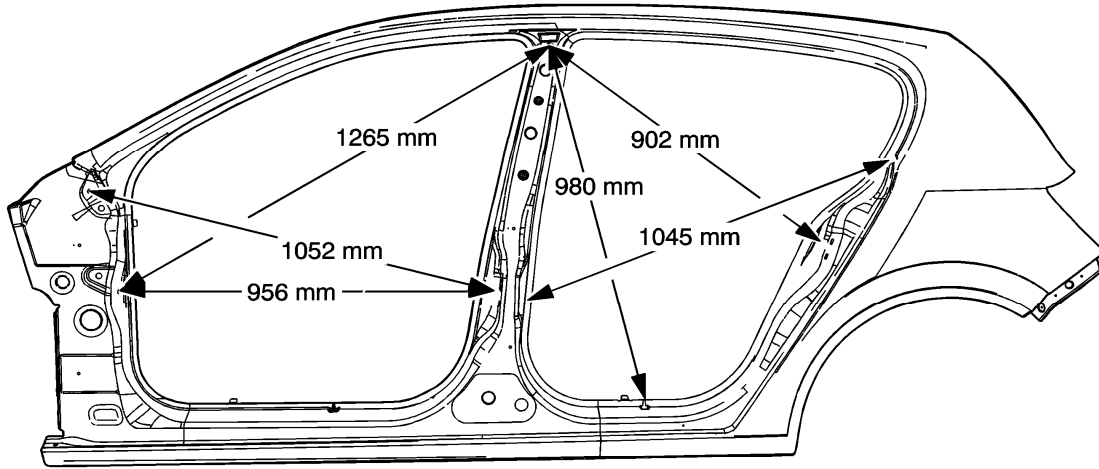
Description

Point-to-point measurements are for reference only. All measurements are given in millimeters. Use these measurements for diagnosing and estimating. Point-to-point measurements are duplicated with tram bar pointers set at equal lengths. All die marks, holes, slots, and fasteners are measured to the center. All dimensions are symmetrical unless otherwise specified.

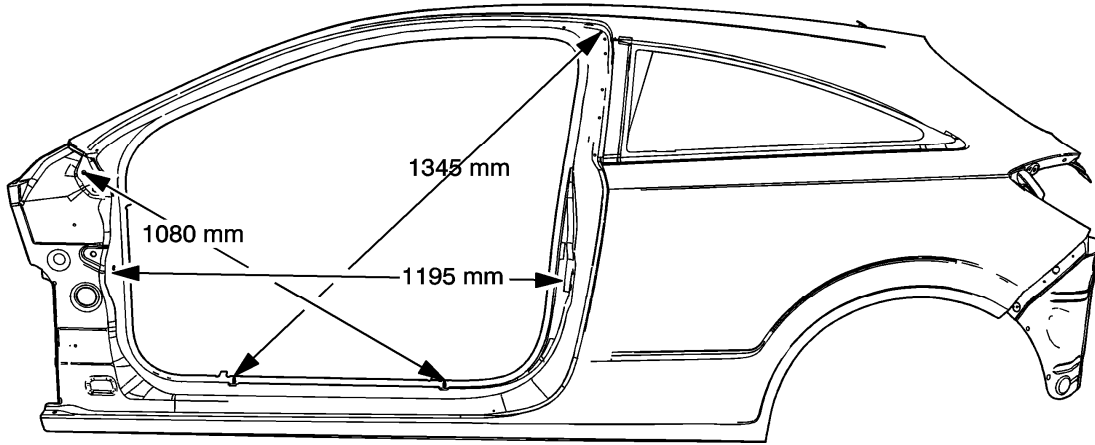
Underhood Opening Dimensions



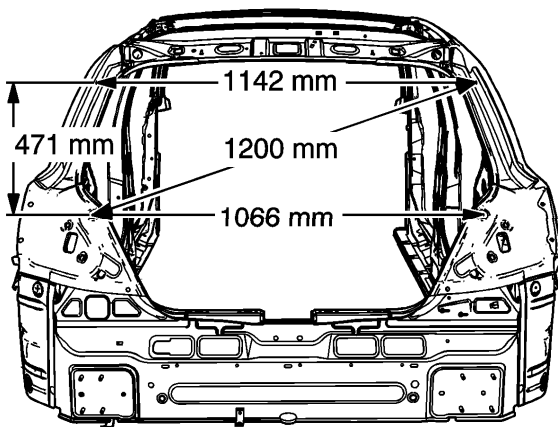
Body Side Opening Dimensions - Sedan



Body Side Opening Dimensions - Coupe



Rear Body Opening Dimensions – Sedan



Rear Body Opening Dimensions - Coupe

