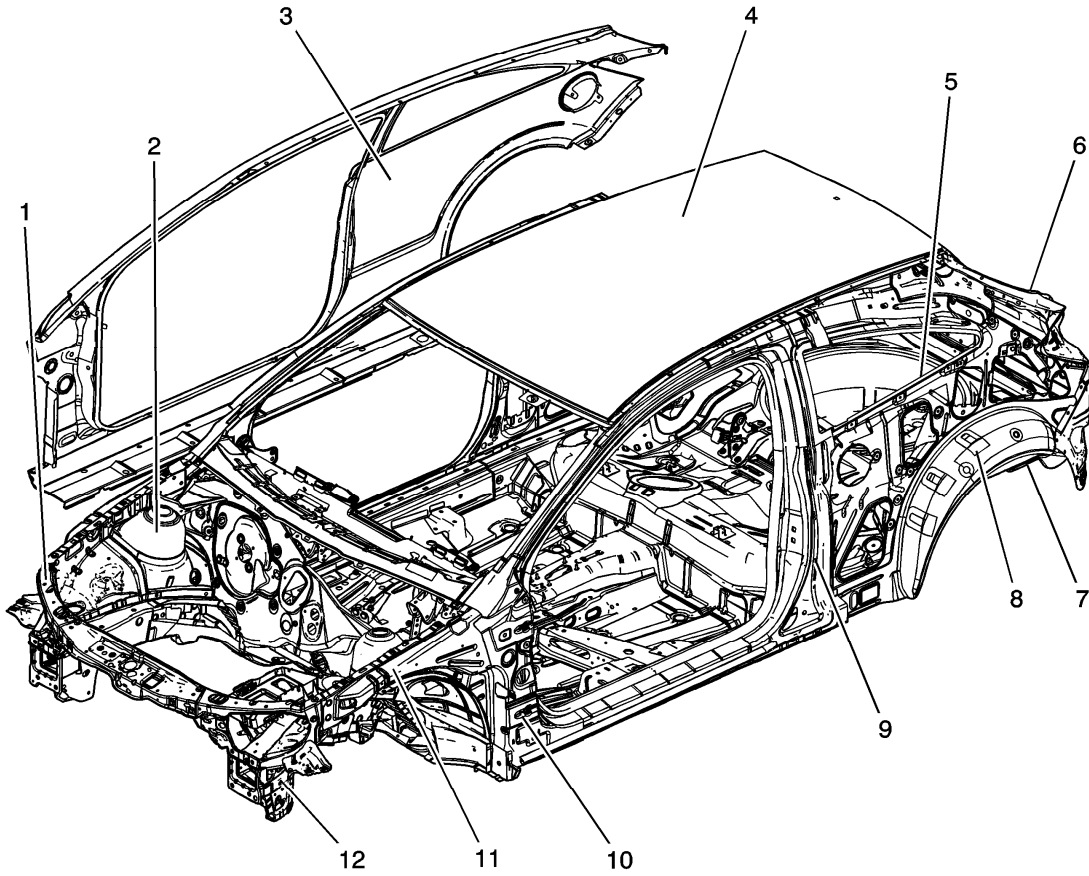


Structure Identification (Coupe)



Number	Description	Material	Procedure
1	Tie Bar	Mild Steel	Upper Tie Bar Replacement
2	Front Wheelhouse	Mild Steel	Front Wheelhouse Replacement or Front Wheelhouse Extension

			Replacement
3	Outer Bodyside Panel	Mild Steel	Quarter Outer Panel Sectioning or Rocker Outer Panel Sectioning
4	Roof Outer Panel	Mild Steel	Roof Outer Panel Replacement
5	Rear Compartment Panel	Mild Steel	Rear Compartment Panel Sectioning
6	Rear End Panel	Mild Steel	Body Rear End Panel Replacement
7	Rear Rail	High Strength Low Alloy Steel	Rear Rail Sectioning
8	Quarter Inner Panel	Mild Steel	Quarter Inner Panel Sectioning
9	Center Pillar Reinforcement	Mild Steel	Center Pillar Sectioning - Inner
10	Front Body Inner Hinge Pillar	Mild Steel	Front Hinge Pillar Body Replacement
11	Front Compartment Upper Side Rail	Mild Steel	Front Compartment Upper Side Rail Sectioning
12	Front Compartment Lower Rail	High Strength Low Alloy Steel	Resistance Spot Welded Full Panel Replacement or MIG Welded Full Panel Replacement
