

## SIR Disabling and Enabling Zone 2 (Sedan)

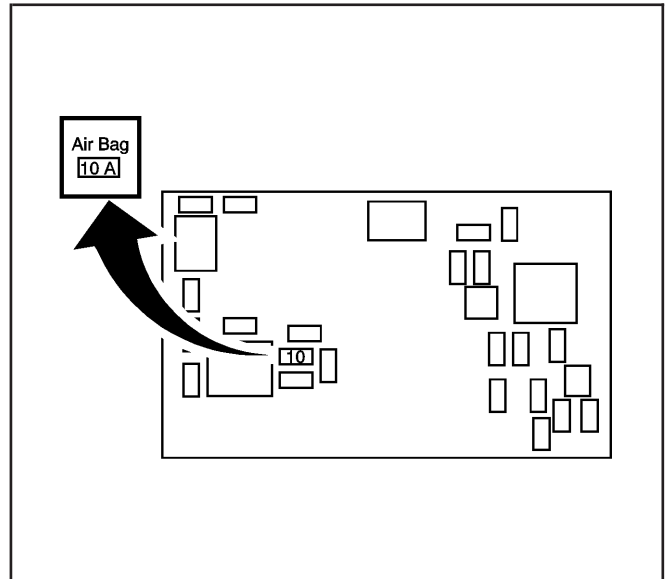
### Disabling Procedure

1. Turn the steering wheel so that the vehicle's wheels are pointing straight ahead.
2. Turn the ignition switch to the OFF position.
3. Remove the key from the ignition switch.
4. Locate the body control module fuse center then remove fuse center cover.

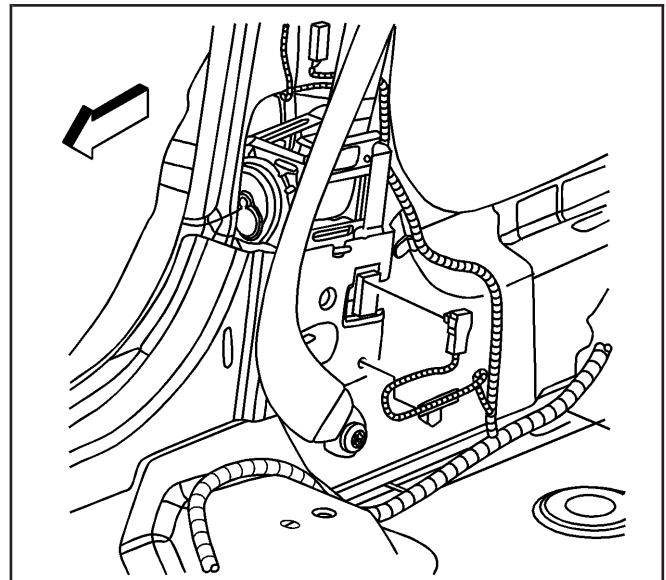
**Important:** With the AIR BAG fuse removed and the ignition switch in the ON position, the AIR BAG warning indicator illuminates. This is normal operation, and does not indicate an SIR system malfunction.

5. Locate and remove the AIR BAG fuse from the body control module fuse center.
6. Remove the lower center pillar.
7. Remove the connector position assurance (CPA) from the pretensioner.
8. Disconnect the left pretensioner yellow connector from the vehicle harness yellow connector.
9. Remove the garnish molding from the upper lock pillar.

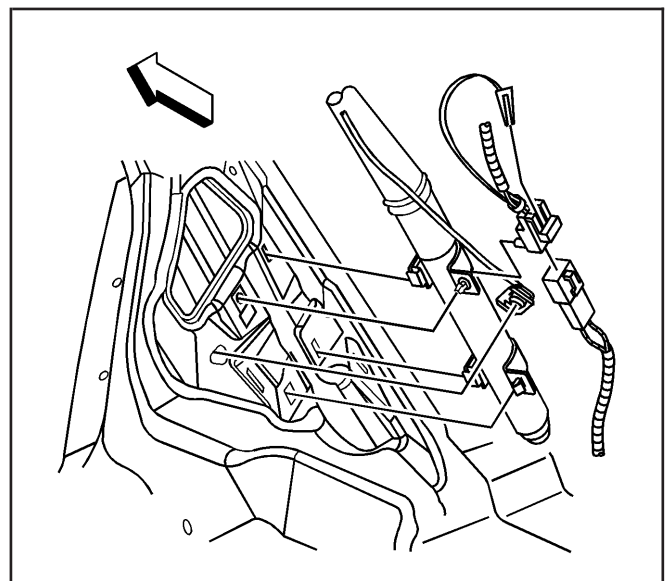
10. Remove the connector position assurance (CPA) from the left/driver roof rail module connector.
11. Disconnect the left roof rail module yellow connector from the vehicle harness yellow connector.



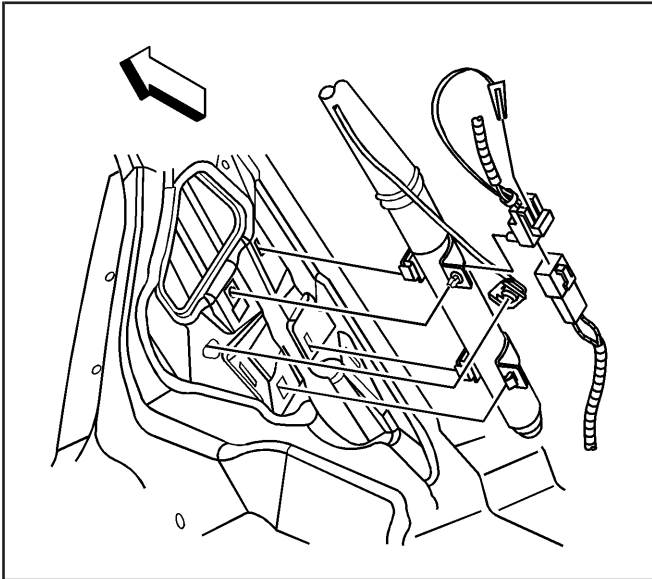
893538



899818



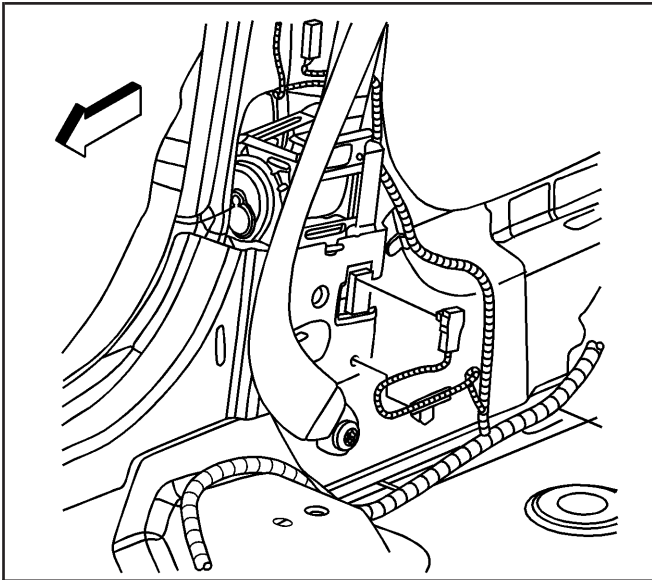
899820



899820

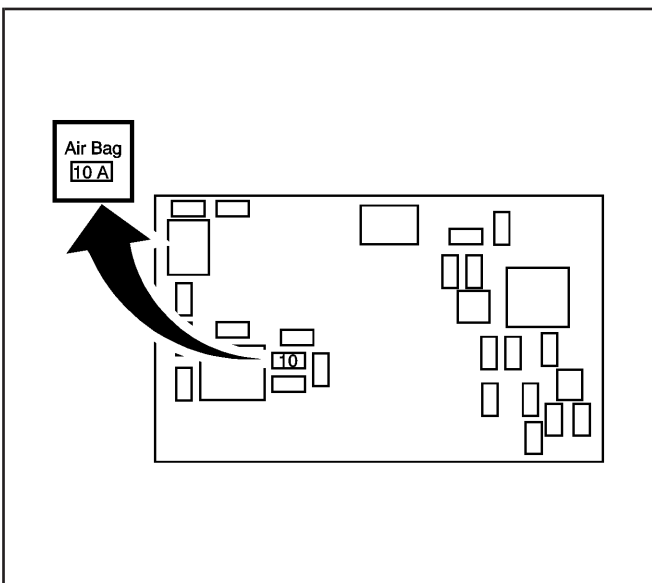
### Enabling Procedure

1. Remove the key from the ignition switch.
2. Connect the left roof rail module yellow connector to the vehicle harness yellow connector.
3. Install the connector position assurance (CPA) to the left/driver roof rail module connector.
4. Install garnish molding to the upper lock pillar.



899818

5. Connect the left pretensioner and install the connector position assurance (CPA).
6. Install the lower center pillar.



893538

7. Install the AIR BAG fuse into the body control module fuse center.
8. Install the body control module fuse center cover.
9. Use caution while reaching in and turn the ignition switch to the ON position.  
The AIR BAG indicator will flash then turn OFF.
10. Perform the SIR Diagnostic System Check if the AIR BAG warning indicator does not operate as described.