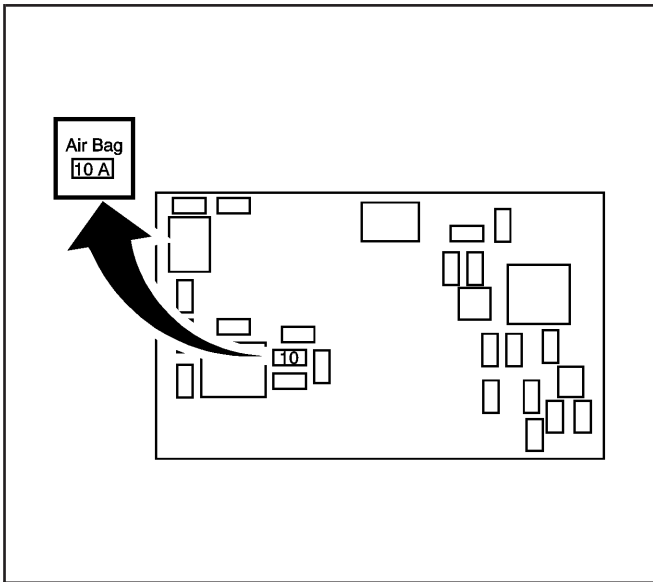
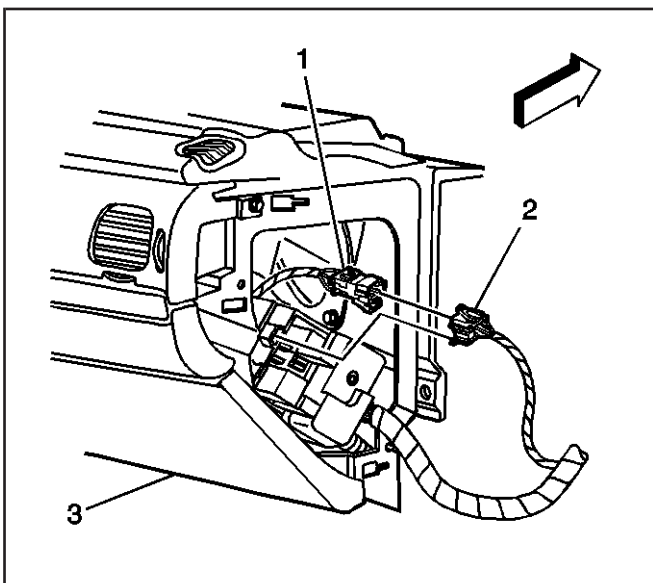


893538



893538



816857

5. Install the AIR BAG fuse into the body control module fuse center.
6. Install the body control module fuse center cover.
7. Use caution while reaching in and turn the ignition switch to the ON position.
The AIR BAG indicator will flash then turn OFF.
8. Perform the SIR Diagnostic System Check if the AIR BAG warning indicator does not operate as described.

SIR Disabling and Enabling Zone 5

Disabling Procedure

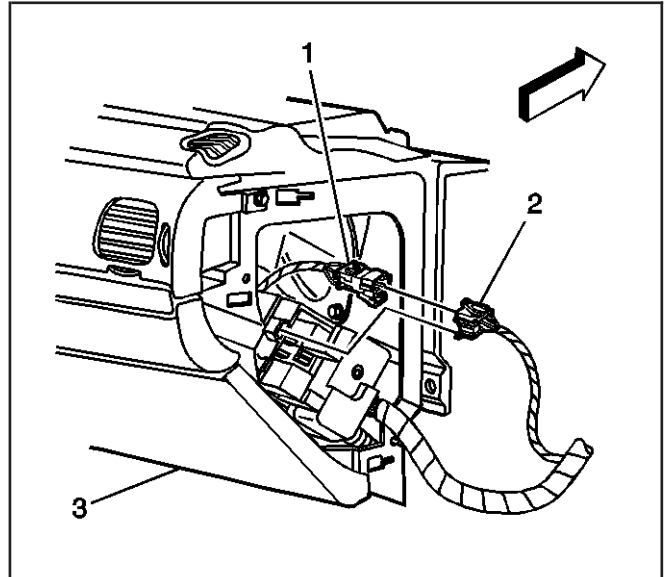
1. Turn the steering wheel so that the vehicle's wheels are pointing straight ahead.
2. Turn the ignition switch to the OFF position.
3. Remove the key from the ignition switch.
4. Locate the body control module fuse center, then remove the fuse center cover.

Important: With the AIR BAG fuse removed and the ignition switch in the ON position, the AIR BAG warning indicator illuminates. This is normal operation, and does not indicate an SIR system malfunction.

5. Locate and remove the AIR BAG fuse from the body control module fuse center.
6. Remove the right/passenger outer trim cover from the I/P (3).
7. Remove the connector position assurance (CPA) from the I/P module yellow connector (2).
8. Disconnect the I/P module yellow connector (1) (4-way) from the vehicle harness yellow connector (2).

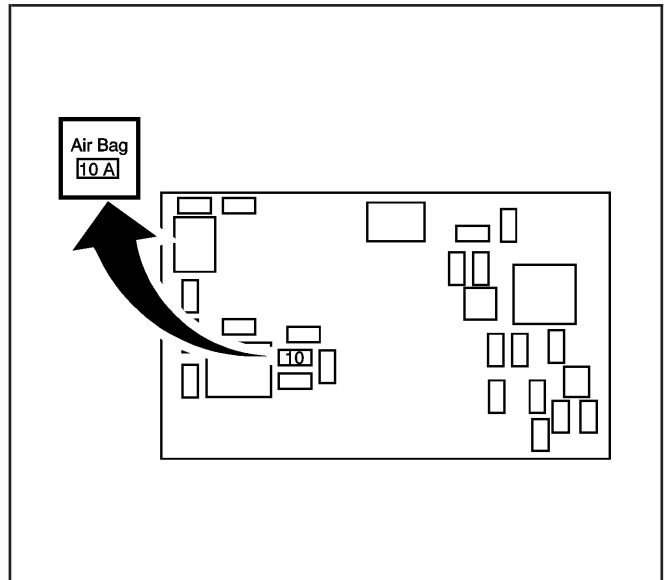
Enabling Procedure

1. Remove the key from the ignition switch.
2. Connect the I/P module yellow connector (1) (4-way) to the vehicle harness yellow connector (2).
3. Install the CPA to the I/P module yellow connector (2).
4. Install the right outer trim cover to the I/P (3).



816857

5. Install the AIR BAG fuse into the body control module fuse center.
6. Install the body control module fuse center cover.
7. Use caution while reaching in and turn the ignition switch to the ON position.
The AIR BAG indicator will flash then turn OFF.
8. Perform the SIR Diagnostic System Check if the AIR BAG warning indicator does not operate as described.

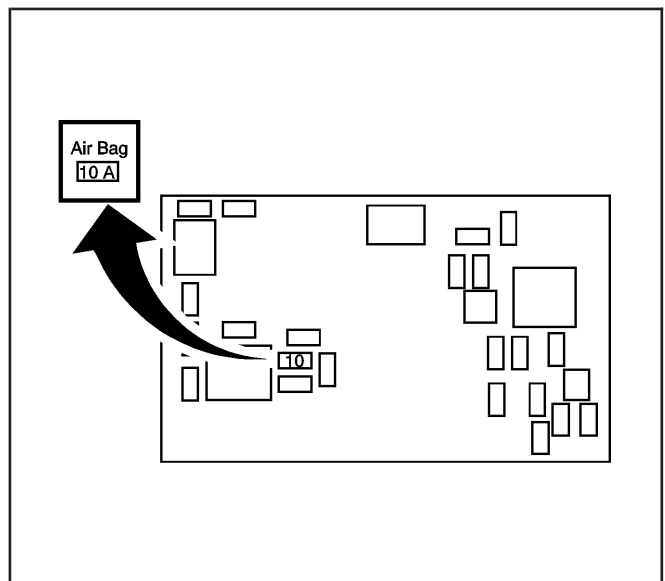


893538

SIR Disabling and Enabling Zone 6 (Coupe)

Disabling Procedure

1. Turn the steering wheel so that the vehicle's wheels are pointing straight ahead.
2. Turn the ignition switch to the OFF position.
3. Remove the key from the ignition switch.
4. Locate the body control module fuse center, then remove the fuse center cover.



893538