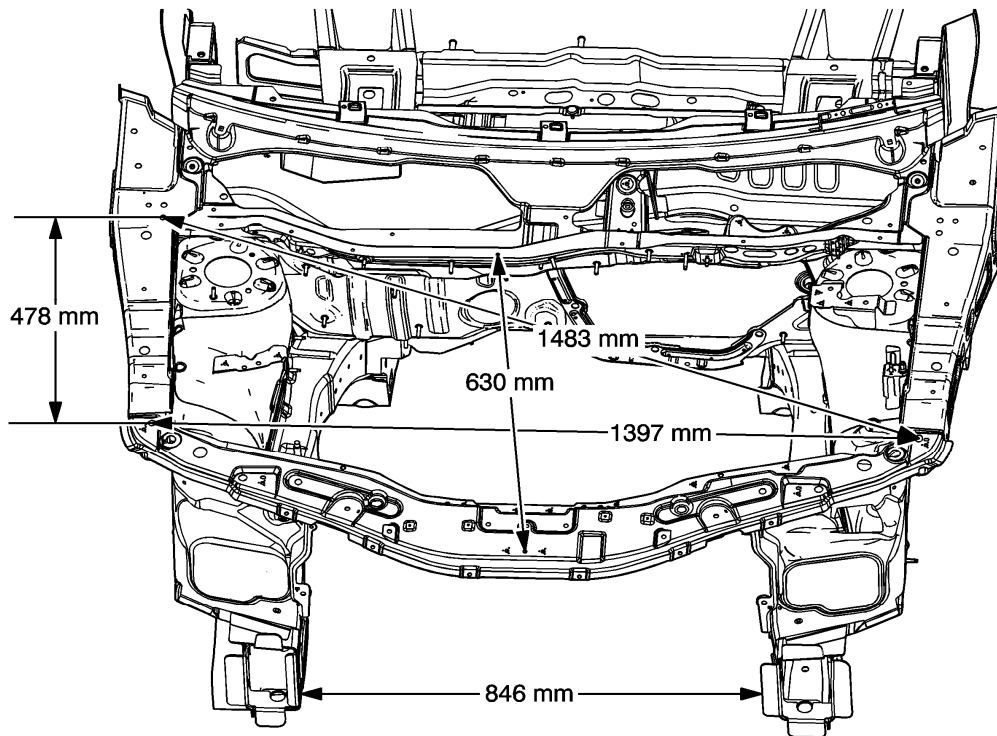


Dimensions - Body

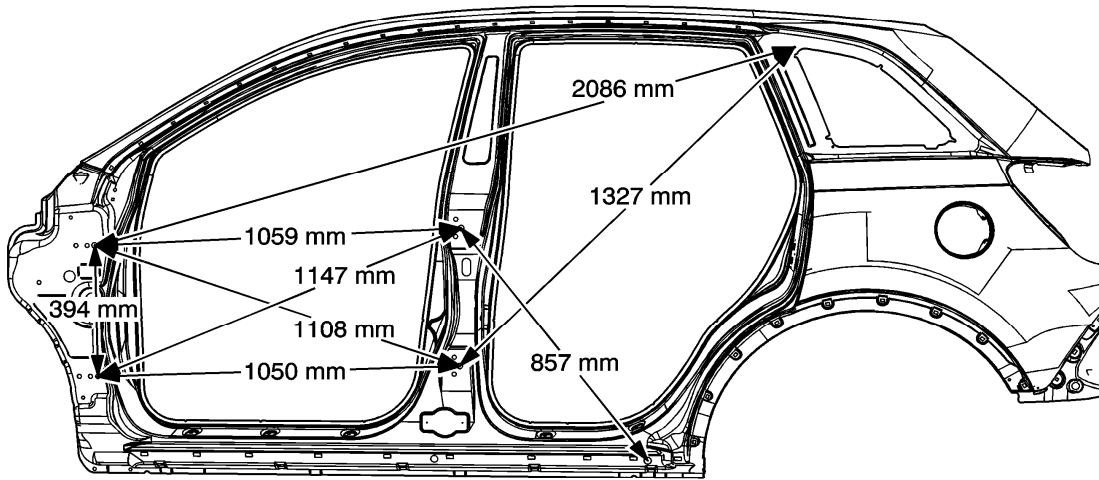
Description:

Point-to-Point Measurements are for reference only. All measurements are given in millimeters. Use these measurements for diagnosis and estimating. Point-to-Point measurements are duplicated with tram bar pointers set at equal lengths. All die marks, holes, slots and fasteners are measured to the center. All dimensions are symmetrical unless otherwise specified.

Under Hood Opening Dimensions



Body Side Opening Dimensions



Rear Body Dimensions

